

E SERIES

High Performance

Multifunction Navigation Displays

- E80 8.4" Display
- E120 12.1" Display



Where Navigation Is Going™

Satellite Weather (NEW)

Receive up-to-the-minute graphical weather forecasts from Sirius® Satellite Radio Marine Weather.

SeaTalk^{hs} Networking

Super fast 100 Megabit networking.

Video / Instrument Integration

Display remote video sources and network with instruments and engine systems.





E120 12.1" Display

E80 8.4" Display

Chartplotter

Powerful chartplotting with Navionics® Gold and Platinum chart support.

Digital Fishfinder

Patented digital sonar technology for precise targeting of fish and bottom structure.

Radar

Raymarine radar technology delivers unmatched performance and ease-of-use.



SeaTalk^{hs}
High Speed Network



Powerful Graphics

A built in graphics coprocessor delivers brilliant video and amazing 3D chartplotter graphics.

Ultra Bright Color

Prismatic light enhancing display technology combined with high bright backlighting provides crisp, ultra bright color even in tropical sunlight.

Multifunction

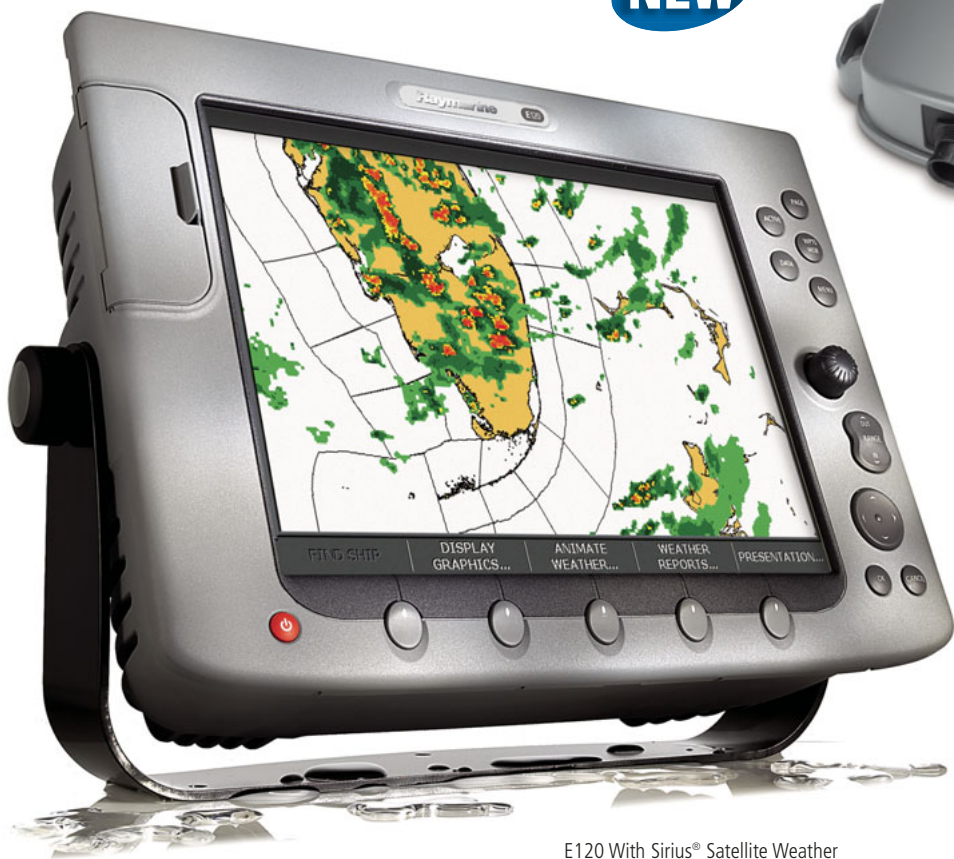
Create custom navigation pages arranged in either full screen or multiple window combinations.

High Performance Multifunction Displays

Our most powerful multifunction displays, Raymarine E-Series delivers chartplotter, fishfinder, radar, and video in an easy to use networked navigation system. Featuring

ultra bright displays, a customizable navigation interface, and super fast networking, E-Series sets the new standard for integrated marine electronics.

NEW



E120 With Sirius® Satellite Weather



SR100 Sirius® Satellite Weather Receiver



New Sirius® Satellite Radio Marine Weather for E-Series

Connect the new SR100 Sirius® Satellite Radio weather receiver to your E-Series display to receive live up-to-the-minute weather forecasts from Sirius® Satellite Radio Marine Weather Service.

The SR100 uses SeaTalk^{hs} networking technology to transform every display on an E-Series network into an on board weather center. The powerful E-Series multifunction navigation interface enables captains to view and animate weather forecasts in a full screen or within a window alongside radar, chartplotter and fishfinder functions.

Available only in the U.S., Sirius® Marine Weather Service coverage includes the 48 contiguous states, most of Canada, Mexico, and waters extending hundreds of miles into the Atlantic and Pacific Oceans, the Gulf of Mexico, and Caribbean. A monthly Sirius® Marine Weather subscription is required to receive forecasts on board.

Satellite Weather

On board forecast data includes:

- WSI NowRad® Weather Radar
- Lighting
- Storm Tracks
- Sea Surface Temperature
- Warnings, observations and buoy reports
- Surface Pressure, Wind and Wave forecast and more

SeaTalk^{hs}SeaTalk^{hs}SeaTalk^{hs}SeaTalk^{hs} Networking SwitchSeaTalk^{hs}

SeaTalk^{hs}
High Speed Network

SeaTalk^{hs} Networking

Instantly transfer radar, chartplotter, fishfinder and navigation functions between E-Series displays with SeaTalk^{hs}.

SeaTalk^{hs} Network Switch

For extended systems the SeaTalk^{hs} Network switch enables connection of up to 8 network devices. This rugged network switch is marine engineered for reliable performance. Simply plug it in. This smart auto-sensing switch delivers full duplex network switching at 100 megabits per second, ensuring fast and reliable onboard networking.

SeaTalk^{hs} Features

- Network E-Series displays in dual or multi display combinations
- Simple setup, SeaTalk^{hs} is plug and play
- 100 Megabit data transfer speed
- Full data transfer and control
- No IP protocols or IT professional required
- Raymarine SeaTalk^{hs} high speed switch enables connection of up to 8 devices on the network

Video Input



CAM100 (NEW)

Monitor Onboard Cameras or Entertainment

Radar



Open Array or Radome Antenna

SeaTalk



Raystar GPS and SeaTalk® Instruments

SeaTalk^{hs}



DSM300 Digital Sounder Module



SeaTalk^{hs} Crossover Coupler

For networking only two devices choose the SeaTalk^{hs} crossover coupler.

M1500 15" Marine Monitor



15" Remote Monitor and Keyboard Kit

Combine with any E-Series display to create extra large 15" remote station. The direct sunlight viewable M1500 monitor and remote keyboard are fully waterproof and offer complete E-Series display control.



CAM100 (NEW)

Connect up to four CAM100 on board marine cameras. Improve docking safety by monitoring blind spots or keep track of the engine room and crew from the helm.



Video Output

View navigation data on big screen TVs, PC monitors or Raymarine's rugged M1500 marine monitor.



Onboard Entertainment

Watch TV on an E-Series display when combined with a digital satellite receiver and Raymarine's 45STV stabilized antenna system.*

* Satellite receiver and subscription sold separately.

Video

- Choose 4 composite or 2 S-Video inputs
- Full screen or video in a window
- The video window can be set to automatically cycle through each video input at custom intervals
- Video input possibilities: Underwater and docking cameras, engine room monitoring, DVD, game consoles and satellite TV



NEW

Customizable Graphic Data Displays



Engine and Instrument Data

Keep track of engine performance with E-Series virtual engine instruments. Using NMEA 2000 protocol, E-Series displays can network with electronic engine instrument systems.



Custom Data Displays (NEW)

New for 2006, E-Series instrument displays can be customized with multiple combinations of graphical, digital and analog display.

Instrument and Engine Data

- Data includes, tachometer, voltage, oil pressure, fuel level, fuel consumption and coolant temp
- Support for both single and dual engines
- Choose from 5 engine data display combinations
- NMEA 0183 and NMEA 2000 support
- Using the page and window customization controls, instrument data can be repeated in either full screen or within a window



Chartplotter

- Choose Navionics® Platinum or Gold Charts formats
- Fast chart redraw and 3D chart rendering using a built in graphics coprocessor
- Raymarine SmartRoute™ automatically converts tracks into waypoints organized in a route
- Chart screen offset for a maximum "look ahead view"
- Head Up/North Up/Course Up Modes
- Relative, True Motion and AutoZoom
- 1250 waypoints and 125 routes with unlimited route, waypoint and track storage using optional CompactFlash memory cards



Chartplotting Technology



Raystar125

Satellite Differential GPS

Enjoy the extreme accuracy of WAAS SDGPS using the Raystar 125 sensor.



Ray240

DSC VHF Position Reports

Display position reports on the chartplotter screen from DSC VHF equipped vessels.



AIS and NavTex Support (NEW)

New AIS (Automatic Identification System) support using an external AIS Receiver (NMEA 0183 compatible receiver required). Overlay and track AIS targets on the chartplotter display. Plus E-Series now supports NavTex data from NMEA 0183 compatible NavTex receivers.



3D Bathymetric Charts

Navigate with 3D charts, depicting bottom contours and terrain topography.



Aerial Photo Charts

Transparently overlay aerial photo charts on top of data rich vector cartography.



Panoramic Photos

View panoramic photos of popular harbors and approaches with a simple click of the cursor.


HD DIGITAL

Digital Fishfinder

- Auto adaptive HD Digital transmitter / receiver
- Color enhanced high resolution display
- Dual frequency 200/50 KHz operation
- A-scope real time sonar display
- Bottom lock mode
- 2X, 4X, 6X zoom magnification
- Maximum depth of 5000 ft. (1700 meters)
Note: Actual depth performance may vary due to water, seabed and vessel characteristics



DSM300



Network Switch

Digital Fishfinder Networking

SeaTalk^{hs} Network Switch

Expands the DSM300 digital sounder functions to multiple E-Series displays.

Digital Sounder Module

SeaTalk^{hs} network compatible sounder module delivers high definition digital fishfinding to every display on the network.



See Clearly

HD Digital receiver technology virtually eliminates clutter and automatically targets individual fish with amazing precision and detail.



Hands Off Operation

HD Digital receiver technology provides auto adaptive control of sensitivity, ping rate and transmit power.



600 or 1000 WATTS

Select from a full range of high and ultra high performance transducers.

Visit www.raymarine.com to explore all transducer options for the DSM300.



Radar

- Auto GST™ automatic control of gain, sea clutter and tune
- Radar waypoint navigation and multiple waypoint overlay

- 1/8th to 72nm max range (Performance limited by the scanner type and position)
- Head up, Course up and North up modes
- Relative or True Motion modes



NEW

RD218 and RD424 Radomes

Radar Technology

Radome or Open Array
 Choose between 2 or 4kW radomes or 4 and 10kW open arrays.

Unparalleled Performance
 Raymarine radar scanners surpass conventional radars thanks to an advanced microprocessor controlled transmitter/receiver and ultra efficient low noise receiver technology.



Radar Navigation

Overlay multiple waypoints on the radar and create waypoints directly on the radar display.



Radar/Chart Overlay

Simplify radar navigation by comparing and reconciling overlaid radar targets with chart objects.



MARPA Target Tracking

MARPA (Mini Automatic Target Tracking) monitors vital target data and warns of a potential collision course.



E80 SPECIFICATIONS

POWER	
Nominal Voltage (volts DC)	12v,24v, systems
Absolute Voltage Range (volts DC)	10.7 - 32 volts
Power Consumption (typical) watts	20W

SIZE AND WEIGHT	
Overall Dimensions (W x H x D)	11.14" x 8.27" x 5.27" (283 x 210 x 133mm)
Product Weight lbs (kg)	9.2 lbs. (4.18kg)

PHYSICAL	
Mounting Methods	Bracket or panel (mounting hardware included)
Operating Temperature Range	14°F to 122°F (-10°C to +50°C)
Enclosure	Waterproof to CFR46 standards
Humidity	Up to 95% at 35°C non-condensing

INTERFACES	
	Raymarine SeaTalk™ Network Port*
	Raymarine SeaTalk®
	Raymarine SeaTalk®/NMEA 2000 Port
	Raymarine Digital Sounder Module Input
	Raymarine Pathfinder Radar Input

INPUTS	
	4 Video Inputs (NTSC/PAL) - Composite BNC
	Dual S-VIDEO Input (Optional)
	1 Video Output (VGA Connector)
	1 NMEA 0183 input / 1 NMEA 0183 output

* NMEA2000 Certification Pending

E120 SPECIFICATIONS

POWER	
Nominal Voltage (volts DC)	12v,24v, systems
Absolute Voltage Range (volts DC)	10.7 - 32 volts
Power Consumption (typical) watts	30W

SIZE AND WEIGHT	
Overall Dimensions (W x H x D)	14" x 10.4" x 5.51" (356 x 264 x 140mm)
Product Weight kg (lbs)	16.2 lbs.(7.35kg)

PHYSICAL	
Mounting Methods	Bracket or panel (mounting hardware included)
Operating Temperature Range	14°F to 122°F (-10°C to +50°C)
Enclosure	Waterproof to CFR46 standards
Humidity	Up to 95% at 35°C non-condensing

INTERFACES	
	Raymarine SeaTalk™ Network Port*
	Raymarine SeaTalk®
	Raymarine SeaTalk®/NMEA 2000 Port
	Raymarine Digital Sounder Module Input
	Raymarine Pathfinder Radar Input

INPUTS	
	4 Video Inputs (NTSC/PAL) - Composite BNC
	Dual S-VIDEO Input (Optional)
	1 Video Output (VGA Connector)
	1 NMEA 0183 input / 1 NMEA 0183 output

ORDERING INFORMATION

DISPLAYS	
Part Number	Description
E02011	E120 High Performance Navigation Display
E02013	E80 High Performance Navigation Display

Remote Monitors And Keyboard	
E02009	M1500 15" Marine Monitor
T82005	E-SERIES 15" Remote Monitor and Keyboard Station Kit
E55061	Full function Remote Keyboard (Seatalk®)

GPS Options	
E32042	Raystar125 GPS Sensor

Digital Sounder Module	
E63069	DSM300 Digital Sounder Visit www.raymarine.com for a complete list of transducer options for the DSM300

Radar Options	
Radomes	
E52065	RD218 2KW 18" Radome w/15M Cable
E52067	RD424 4KW 24" Radome w/15M Cable
M92650-S	2D 2kW 18" Radome
M92652-S	4D 4kW 24" Radome
Open Arrays	
T52001-S	5S 4kW 4' array
T52013-S	7S 4kW 6' array
T52012-S	9S 10kW 4' array (24 VDC only)
T52014-S	11S 10kW Antenna 6' array (24 VDC only)

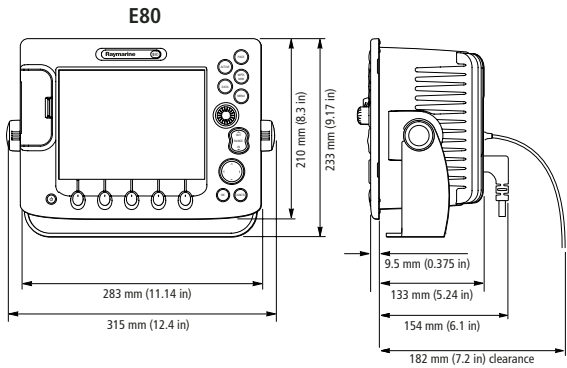
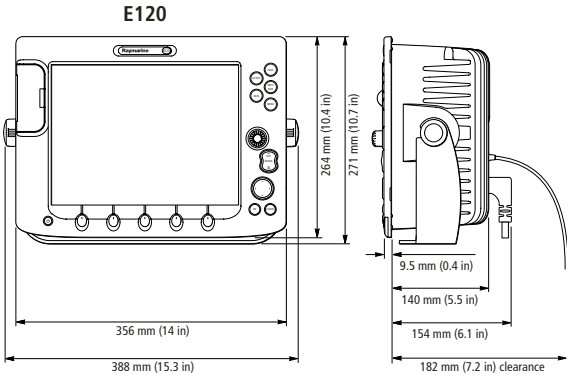
SeaTalk™ Network Components	
E55058	SeaTalk™ High Speed 8 Port Network Switch <i>(for networking more than 2 devices)</i>
E55060	SeaTalk™ Crossover Coupler <i>(for connecting two devices with no network switch)</i>

Cables	
E55049	SeaTalk™ Network Cable 1.5M
E55050	SeaTalk™ Network Cable 5M
E55051	SeaTalk™ Network Cable 10M
E55052	SeaTalk™ Network Cable 20M

Video Accessories	
E03007	CAM100 Video Camera (NTSC)
E55062	Video in (S-Video)
E55055	Video Out Cable 10M
E55056	Video Out Cable 20M
E02009	M1500 15" Marine Monitor

NMEA Accessories	
E55059	NMEA 0183 Multiplexer

Sirius Weather Option	
E03009	SR100 - Sirius Weather Receiver Module



Raymarine Incorporated
 21 Manchester Street
 Merrimack, NH 03054
 USA
 Tel: 603.881.5200
 Fax: 603.864.4756
www.raymarine.com

Raymarine plc
 Quay Point, Northbarbour Road
 Portsmouth, Hampshire PO6 3TD
 England
 Tel: +44 (0)23 9269 3611
 Fax: +44 (0)23 9269 4642
www.raymarine.com

All registered marks and trademarks are property of their respective owners.